

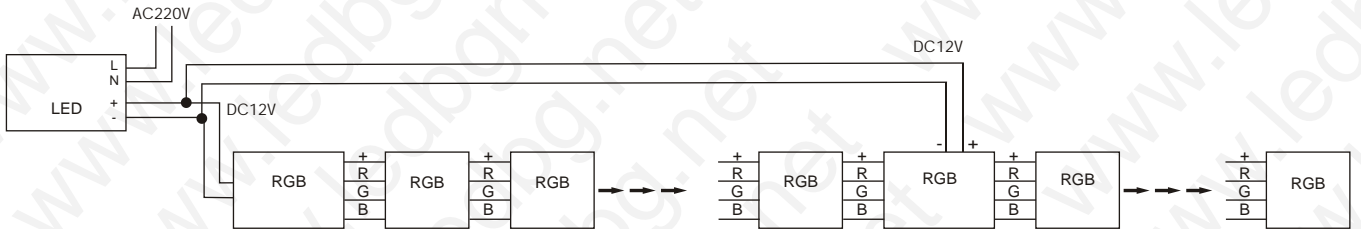
RGB 30 / 60 / SMD 5050.
 30LED = 7,2W /m.
 60LED = 14,4W /m.

RGB IR 24 72W.
 LED 30 / 5 .
 60 / (10 . 7.2W = 72W 5 . 14.4W = 72W)
 10- 30 / 5-
 60 / .
 15 RGB LED ,
 10 RGB LED ,

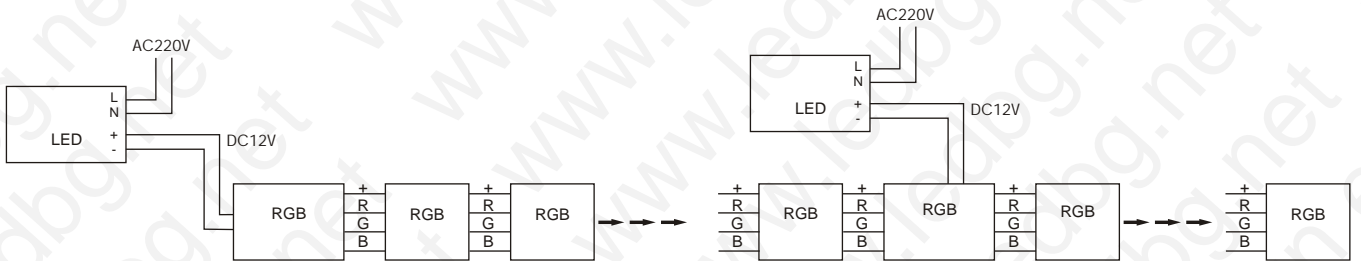
RGB

LED

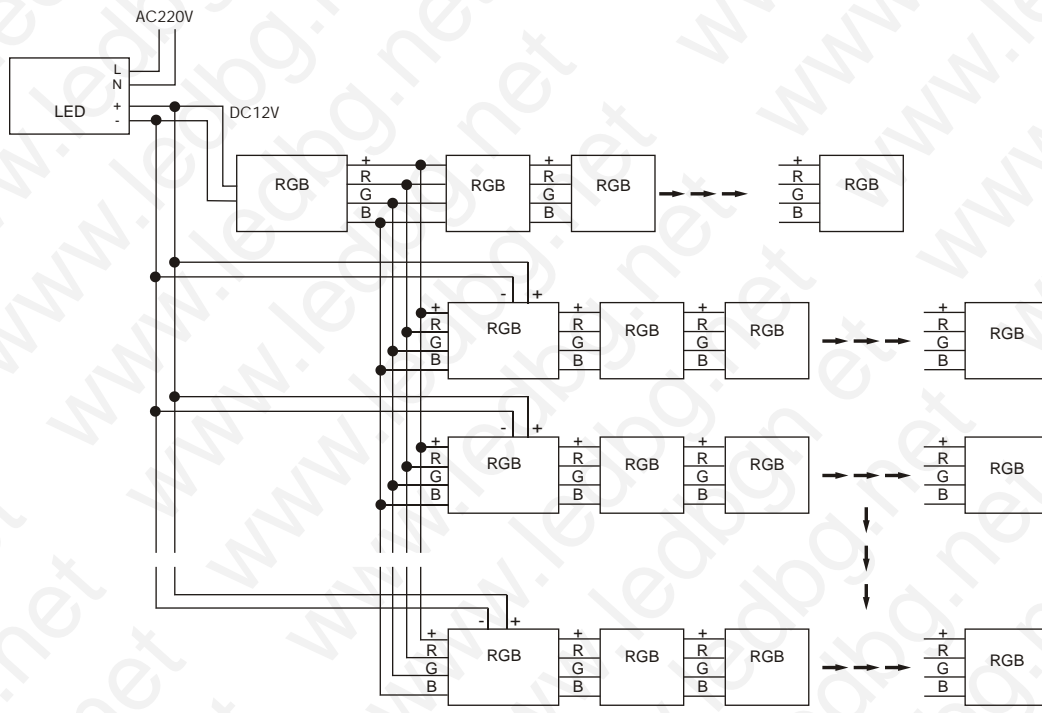
LED



LED



LED



LED

